



GN 1/1



Insulated container with front opening for the transport of products at controlled temperature

- Brand: MELFORM
- Country of origin: ITALY
- Customs code: 39231090
- Compatible with food contact
- Color: melange grey/blue
- Capacity: 63 liters.
- Technology: rotomoulding
- Warranty: 24 months
- Fully recyclable at the end of its operational life.
- Stackable and easy to move

MANUFACTURING MATERIALS

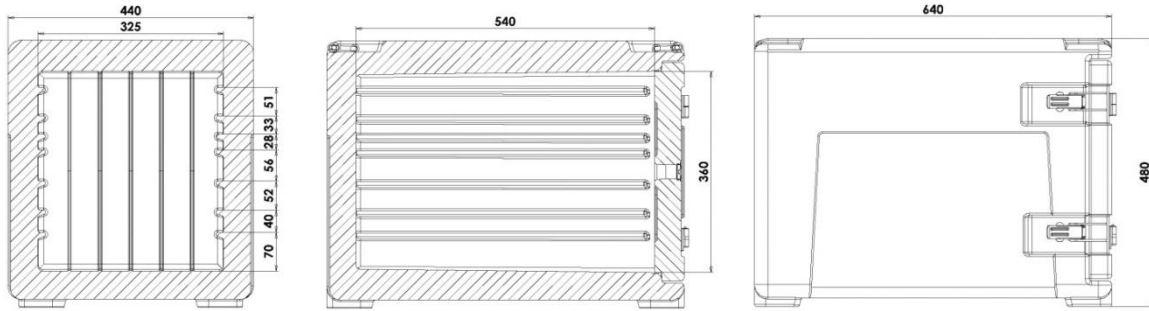
Polyethylene	inner and outer walls of the container and door; suitable for food contact	Polyurethane	insulating material between the walls of the container and the door; CFC and HCFC free
Silicone rubber	gasket	Glass fiber reinforced polyamide	Hinges
Stainless steel	grip handles, closure	Acetal resin POM	handle covers

Model	Codicand	EAN code	Ext. dim. (mm)	Int. dim. (mm)	Capacity l	Weight Kg
AF7 melange	AF070006	8022949032982	440x640xh480	325x540xh360	63	11
AF7 blue	AF070001	8022949032937				
AF7 red	AF070004	8022949032968				

PRODUCT FEATURES

	<p>Equipped with 7 guides with differentiated pitch (see dimensional diagram).</p>		<p>It can carry:</p> <ul style="list-style-type: none"> • 4 GN 1/1 h65; • 2 GN 1/1 h150; • 1 GN 1/1 h 65 + 2 GN 1/1 h 100; • 1 GN 1/1 h 100 + 2 GN 1/1 h 200; • + 1 eutectic plate
	<p>Heating door, analog or digital version, to extend the time of transport in hot bond:</p> <ul style="list-style-type: none"> • power 200W • cable 240V l=2 mt • IPX4 • heating unit with stainless steel interior 		<p>Eutectic plates:</p> <ul style="list-style-type: none"> • warm (red) • fresh (pink) • super fresh (white) • frozen (blue) • frozen plus (Green) <p>to increase maintenance performance thermal over time</p>
	<p>Equipped with opening door up to 240° and easily removable, to facilitate washing operations.</p> <p>Sealing gasket of the door easily dismantled.</p>		<p>Stainless steel grip handles with handle cover.</p>
	<p>Melform closing hooks in stainless steel.</p>		<p>Equipped with hinges in shockproof and resistant to stress.</p>
	<p>Equipped with adjustable vent valve.</p>		<p>Smartdolly trolley:</p> <ul style="list-style-type: none"> • capacity 150 Kg; • 4 non-marking rubber wheels and PP core; • diam wheels: 100 mm; • 2 fixed wheels; • 2 swivel wheels. <p>Available with chromed or stainless steel handle.</p>
<p>°C</p>	<p>Container granted for use:</p> <p>from -30° C to +100°C.</p>		<p>Available (on request) USB datalogger to record temperature during transport.</p>

TECHNICAL DATA (mm)



FIXINGS

Model	Codicand	Color	External dimensions (mm)	Internal dimensions (mm)	Capacity l	Weight Kg
Heating door 230 V digital	3B3H0016	red	440x110xh395			3,9
Heating door 230 V analog	3B3H0018	red	440x110xh395			3,9
Body AF7	31230012	Mel. grey blue	440x640xh480	335x540xh360	63	9,3
Hot plate GN 1/1	PEGS0003	red	530x325xh30			3
Fresh plate GN 1/1	PEGS0001	rose	530x325xh30			4
Superfresh plate GN 1/1	PEGS9001	sand	530x325xh30			4
Frozen plate GN 1/1	PEGS0002	blue	530x325xh30			4
Frozen plate plus GN 1/1	PEGS9008	green	530x325xh30			4
Grid stainless steel GN1/1	AEA020	stainless steel	530x325xh12			1,3
Smartdolly Cart stainless steel handle	MAXI0018	Mel. grey blue	525x750xh965			9,5
Smartdolly Cart without handle	MAXI9007	Mel. grey blue	525x750xh210			7
Data logger USB	AFG007		80x33xh14			

SPARE PARTS

RRI019	RRI023	RRI113	RRI130	RRI030
Handle cover kit	Gasket kit	Complete hinge kit	Stainless steel closure kit	Vent plugs kit
2 pieces per package	5 pieces per package	2 pieces per package	4 pieces per package	10 pieces per package

