



MODULAR SYSTEM

AF 150

GN 1/1 EN



ATP 600X400



www.melform.com



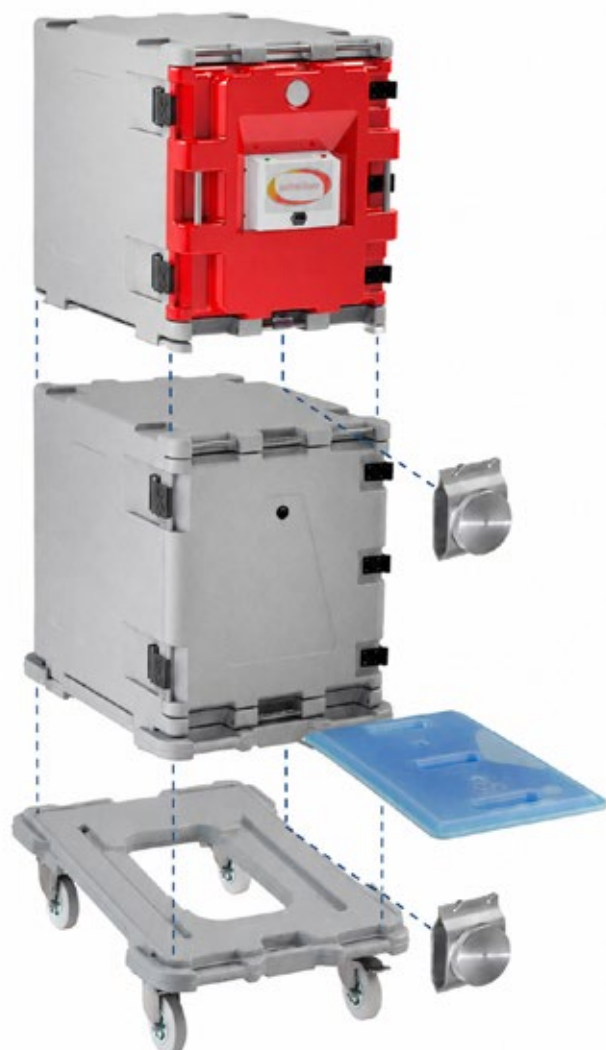
- Brand: MELFORM
- Country of Origin: ITALY
- Customs code: 39231090
- Compatible with food contact
- Color: grey/blue
- Technology: rotomoulding
- Warranty: 24 months
- Fully recyclable at the end of its operational life

MODULAR SYSTEM

AF 150

FEATURES

- **High Capacity & Versatility:** 150-liter capacity per section; can be configured with rails and racks for GN pans, EN trays, pastry sheets, and 600×400 mm bins.
- **Modular & Flexible Structure:** Practical design allows for rapid assembly and disassembly, streamlining both operation and cleaning.
- **Simultaneous transport of hot, chilled, and frozen food products,** made possible by two separate and thermally insulated compartments.
- **Removable Locking Kit:** Designed for the secure stacking and assembly of two AF150 / Koala 150 containers.



MANUFACTURING MATERIALS

POLYETHYLENE: internal and external walls of the container and the door, trolley; suitable for food contact.

POLYURETHANE: insulating material between the walls of the container and the door, CFC and HCFC-free.

SILICONE RUBBER: gasket.

STAINLESS STEEL: handling handles, wheel support, locking kit.

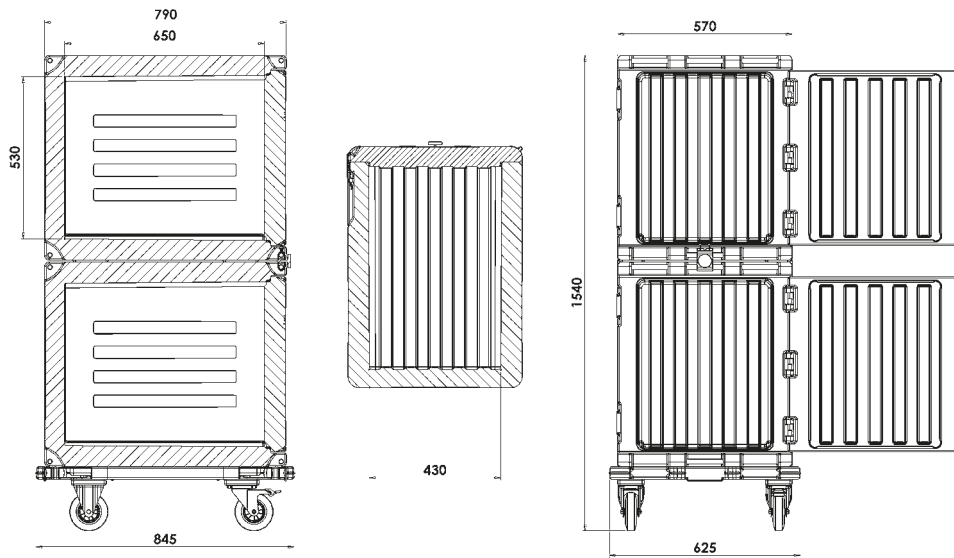
FIBERGLASS-REINFORCED POLYAMIDE: hinges, closures.

RUBBER AND POLYPROPYLENE: wheels (rubber tread and polypropylene core).

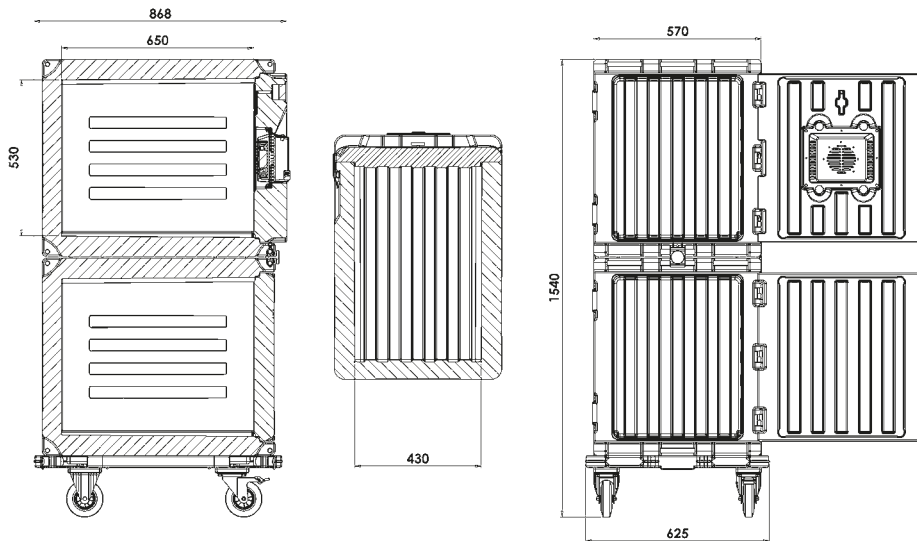
AVAILABLE MODELS

MODELS	SKU	COMPOSITION	EXT. DIM. (mm)	INT. DIM. (mm)	CAPACITY (l)	WEIGHT (kg)
AF 150 MODULAR SYSTEM FRESH/FRESH	A150M001	-no. 2 AF150 passive containers -no. 1 trolley -no. 1 locking kit	625x845x1540H	430x650x530H per each module	296	56
AF 150 MODULAR SYSTEM FRESH/HOT	A150M002	-no. 1 AF150 passive container -no. 1 AF150 digital heated container -no. 1 trolley -no. 1 locking kit	625x868x1540H	430x650x530H per each module	296	59,5
AF 150 MODULAR SYSTEM FRESH/HOT	A150M004	-no. 1 AF150 passive container -no. 1 AF150 analog heated container -no. 1 trolley -no. 1 locking kit	625x868x1540H	430x650x530H per each module	296	62,5
AF 150 MODULAR SYSTEM HOT/HOT	A150M003	-no. 2 AF150 digital heated containers -no. 1 trolley -no. 1 locking kit	625x868x1540H	430x650x530H per each module	296	62,5
AF 150 MODULAR SYSTEM HOT/HOT	A150M005	-no. 2 AF150 analog heated containers -no. 1 trolley -no. 1 locking kit	625x868x1540H	430x650x530H per each module	296	62,5
AF 150 MODULAR SYSTEM HOT/FROZEN	A150M006	-no. 1 AF150 digital heated container -no. 1 Koala 150 refrigerated container -no. 1 trolley -no. 1 locking kit	625x998xh1540H	430x650xh520H per each module	296	72
AF 150 MODULAR SYSTEM HOT/FROZEN	A150M007	-no. 1 AF150 analog heated container -no. 1 Koala 150 refrigerated container -no. 1 trolley -no. 1 locking kit	625x998xh1540H	430x650xh520H per each module	296	72

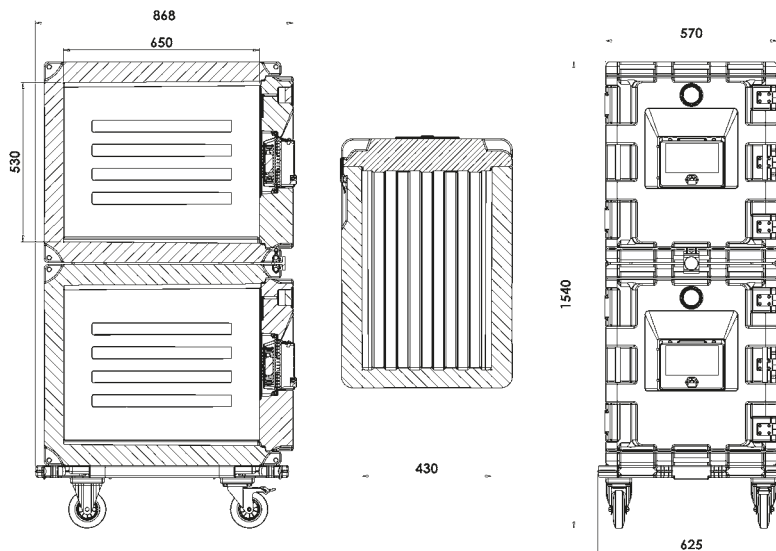
DIMENSIONAL DRAWING



AF150 modular system fresh/fresh

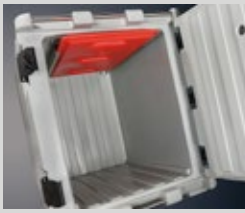


AF150 modular system fresh/hot



AF150 / KOALA 150 modular system frozen/hot

PRODUCT FEATURES



Version with eutectic plate seat



Version with 1 set of GN adaptors and 2 pairs of guides for GN, EN trays and 600x400 pans



Polyethylene trolley, capacity 200 Kg equipped with 4 swivel wheels, including 2 with brake, diam. 125mm



Stainless steel locking kit to fix two stacked containers



Closing hooks in shockproof material



Available with stainless steel closures



Adjustable vent valve



- Stainless steel grid GN1/1 (AEA020)
- Self-supporting stainless steel grid (AEA012)



Available (on request) USB datalogger to record temperature during transport



Integrated stainless steel handles



Hinges in shockproof and stress-resistant material



Eutectic plates:
• warm (red)
• chilled (pink)
• frozen (blue)
• frozen plus (green / grey)

to increase thermal maintenance performance over time

Overall heat transfer coefficient:

- **AF150: $K=0,42 \text{ W/m}^2\text{K}$;**
- **KOALA 150: $K=0,44 \text{ W/m}^2\text{K}$**

Container (isothermal case) guaranteed for use:

from -30°C to $+100^{\circ}\text{C}$.

ACCESSORIES

ACCESSORIES	SKU	COLOR	EXT. DIM. (mm)	WEIGHT (kg)
Stainless steel GN adapters with two pairs of guides	RR1237		GN, EN, 400x600	
Additional pairs of GN guides	ABA302		GN, EN, 400x600	
Stainless steel grid	AEA020		GN 1/1	1,3
Self supporting stainless steel grid	AEA012		430x630xh262	3
Eutectic plate Hot +70°C	PEGS0003	RED	GN 1/1	4
Eutectic plate Chilled +3°C	PEGS0001	ROSE	GN 1/1	4
Eutectic plate Frozen -21°C	PEGS0002	BLUE	GN 1/1	4
Eutectic plate Frozen plus -21°C	PEGS9008	GREY / GREEN	GN 1/1	4
Fixing kit for modular system	RR1139			1,2
Polyethylene trolley	THS30006		625x845xh210	7
USB Data logger -30°C +70°C	AFG007			